

TABLE PRO
LINEAR
FACT SHEET



TABLE PRO LINEAR



reddot award 2015
winner



Nominated
2015

High quality craftsmanship and fine attention to detail: TABLE PRO LINEAR is the premium model in the range. The expertly designed lamp heads with their open cooling fins effectively dissipate the heat from the LEDs. Specially developed self-locking joints fix the light in any desired position.

As well as offering biologically effective light, LUCTRA® provides a minimalistic geometric LINEAR design with its aluminium finish and height of 75 centimetres.

TECHNICAL DATA

TABLE PRO LINEAR	
Product #	9215 with lamp base 9217 with clamp 9219 with pin
Colours	01 black 02 white 23 aluminium
Dimensions	Height: 300 mm–900 mm
	Radius: 100 mm–700 mm
	Lamp base: 250 mm x 250 mm x 8 mm
	Clamp (W x D x H): 90 mm x 75 mm x 100 mm
	Pin (Ø): 90 mm
Material	Aluminium, zinc, steel (lamp base), glass, plastic
Weight	9215: 6,5 kg 9217 and 9219: 2,5 kg
Energy efficiency	A++*
Protection type	IP 20
Protection class	III ⚡
Illuminants	
LEDs	2 cold white & 2 warm white LEDs (CREE)
Power consumption	10,5 W**
Luminous flux of luminaire:	neutral white 680 lm* Boost 900 lm**
Light intensity	neutral white 566 cd* Boost 746 cd**
Illuminance	1,000 lux at a height of 75 cm
Luminous efficiency	neutral white 73 lm/W* Boost 75 lm/W**
Colour temperature (CCT)	2.700 K <-----> 6.500 K
Colour reproduction index	≥ 80
Operating temperature on lamp head	≤ 40°C at 25°C ambient temperature
Burning life	over 50,000 hours
Standby consumption	≤ 0,5 W
Nominal voltage	12–14 V DC
Protection class	II ☑
VITACORE®	
Operation	via VITACORE® electronics or app
Light strength setting	stepless up to 1,000 lux
Setting of light colour	stepless between 2,700 and 6,500 Kelvin
Boost function	for maximal cold white lighting at 1,000 lux
USB charging ports	2 ports
Touch panel	made of glass
Power supply unit	
Desktop power supply	Europlug & BS 1363 (British 3-pin) plug
AC cable length	1,2 m
DC cable length	1,8 m
Nominal voltage	100–240 V, 50–60 Hz
Power consumption	1,5 A
Output	max. 12 V, 48 W, 4 A DC

*with warm white and cold white LEDs switched on, touch panel switched off, USB charging ports not being used
 **with cold white LEDs switched on to 100%, touch panel switched off, USB charging ports not being used

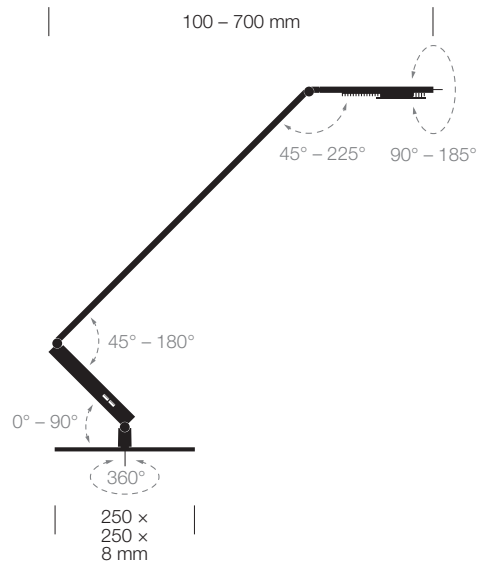
TABLE PRO CLAMP (9217)

The clamp of LUCTRA® TABLE PRO allows the lamp to be attached to table thickness up to 78 mm. It allows wall mounting, too.

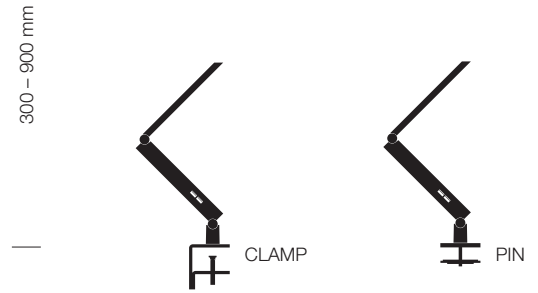
TABLE PRO PIN (9219)

The LUCTRA® TABLE PRO pin holds the lamp firmly in hole throughputs between 20 and 80 mm. With integrated cable management.

TECHNICAL VIEW



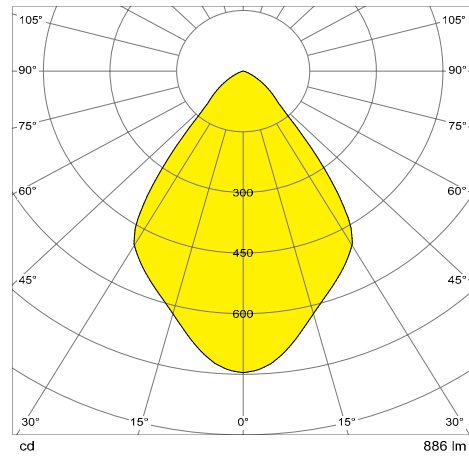
LINEAR TABLE PRO
BASE
9215



LINEAR TABLE PRO
CLAMP
9217

LINEAR TABLE PRO
PIN
9219

LIGHT INTENSITY DISTRIBUTION



Free download on
www.luctra.eu

LUCTRA

LUCTRA® is a brand of
DURABLE · Hunke & Jochheim GmbH & Co. KG
Westfalenstraße 77–79 · 58636 Iserlohn
P.O. Box 1753 · 58634 Iserlohn · Germany
Phone +49 2371 662445
info@luctra.eu · www.luctra.eu